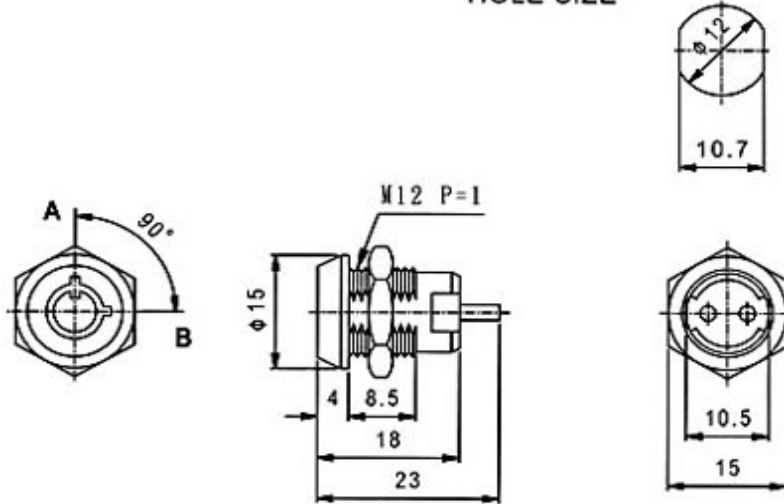


S126 S146

MICRO SWITCH LOCK

Unit: mm

HOLE SIZE



DESCRIPTION:

- Zinc alloy die cast housing and cylinder.
- Bright chrome plated standard.
- 4 pin tumbler mechanism.
- Steel made tubular keys, nickel plated.
- Key may be withdrawn in one or both positions.
- Silver plated contacts and terminals.
- S126 2 position (off-on) 2 terminals.
- S146 2 position (on-on) 4 terminals.
- Hex nut mounted.
- All keyed alike or one combination per 100pcs standard.
- 150 combinations available.

KEY-PULL FIGURES :

○ -Off Position

I -Indicates Key-Pull

● -Indicates No Key-Pull

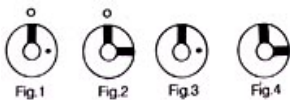


Fig. No.	Lock Number	Pole	Positions	Terminals	Key Pulls	Turn	⤴	⤵	Type
1	S126-1	1	2	2	1	90 °	Off	On	SPST
2	S126-2	1	2	2	2	90 °	Off	On	SPST
3	S146-1	1	2	4	1	90 °	On	On	SPDT
4	S146-2	1	2	4	2	90 °	On	On	SPDT