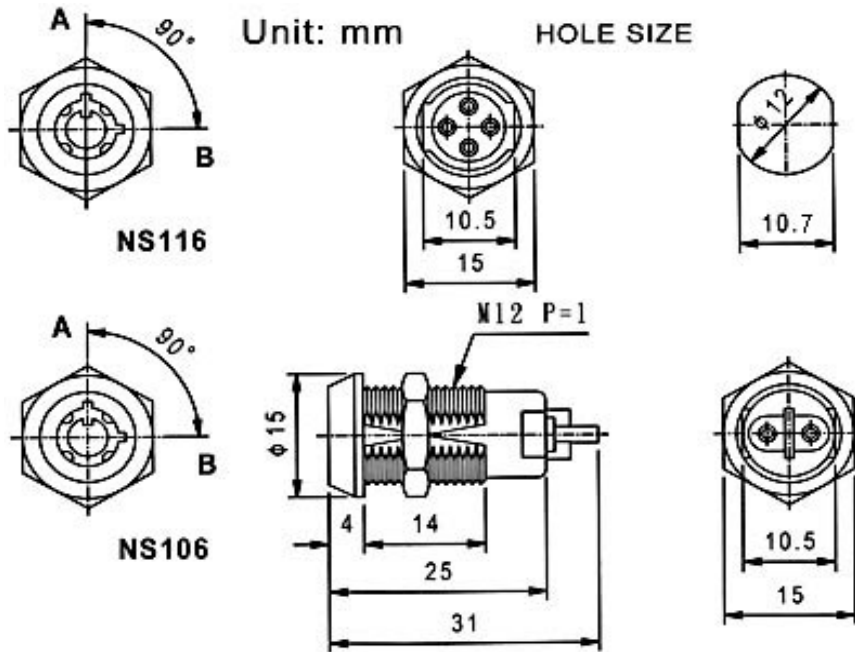


NS106 NS106M

MICRO SWITCH LOCK



DESCRIPTION:

- Zinc alloy die cast housing and cylinder.
- Bright chrome plated standard.
- 4 pin tumbler mechanism.
- Zinc alloy tubular keys, chrome plated, with plastic cover.
- Key may be withdrawn in one or both positions.
- Silver plated contacts and terminals.
- NS106 2 position (off-on) 2 terminals.
- NS106M 2 position (off-on) 4 terminals spring loaded for momentary contact.
- Hex nut mounted.
- All keyed alike or 200 combinations standard.
- 200 combinations available.

KEY-PULL FIGURES :

- -Off Position
- -Indicates Key-Pull
- -Indicates No Key-Pull



Fig.1

Fig.2

Fig. No.	Lock Number	Pole	Positions	Terminals	Key Pulls	Turn	⤴	⤵	Type
1	NS106-1	1	2	2	1	90°	Off	On	SPST
2	NS106-2	1	2	2	2	90°	Off	On	SPST
1	NS106M	1	2	2	1	90°	Off	(On)	SPST