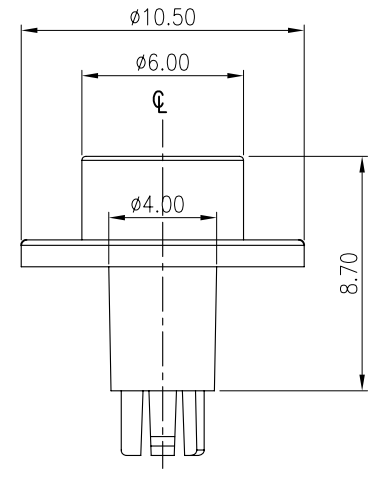
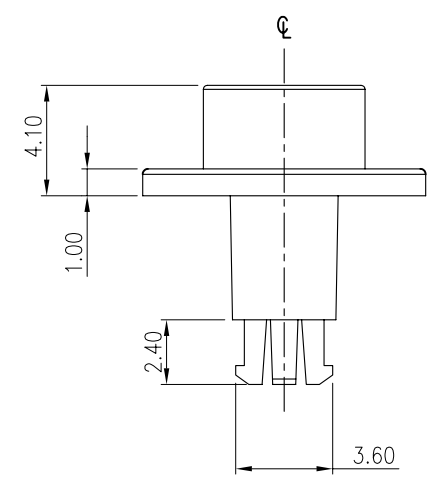
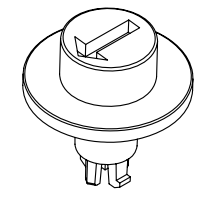
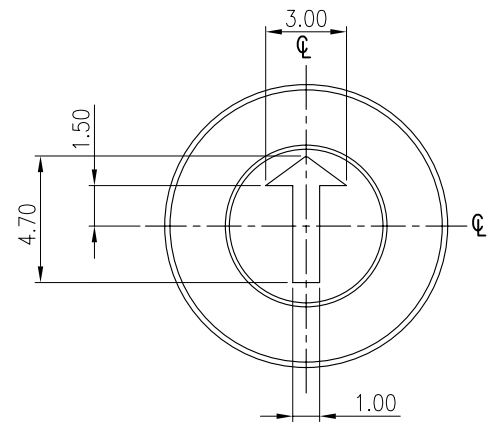


試行版

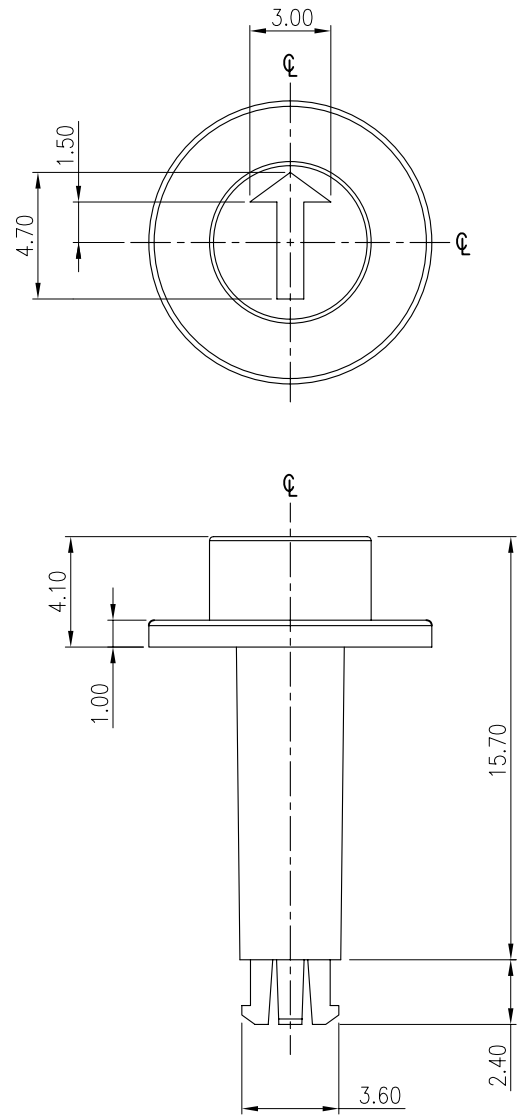
NOTE:
1.GENERAL TOLERANCES MAX.±0.20mm.



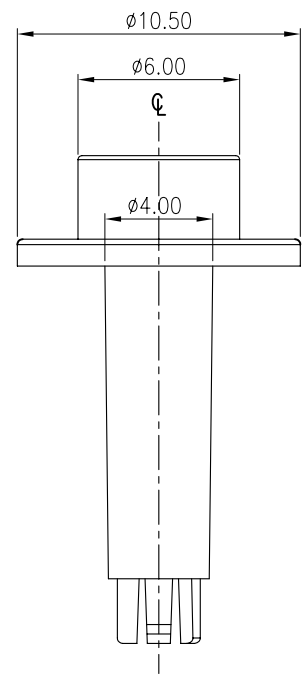
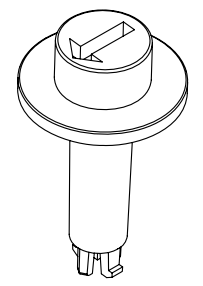
△				
△				
△				
△	A1	DWG REL.	2014.5.16	
ZONE	REV.	DESCRIPTION	DATE	APPD.

APPD:	Q' TY:		PART NAME:
CHKD:	SCALE: 5:1		ROTARY SWITCH
DR: LARRY	REV: A1	UNITS: mm	PART NO: KRB-1N
DESIGN: LARRY			MAT' L: PA66(棕)
			FINISH:
			DWG NO: RD12PP-01

試行版

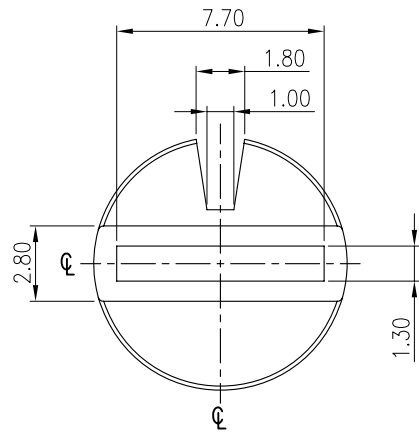


NOTE:
1.GENERAL TOLERANCES MAX.±0.20mm.



△				
△				
△				
△	A1	DWG REL.	2014.5.16	
ZONE	REV.	DESCRIPTION	DATE	APPD.

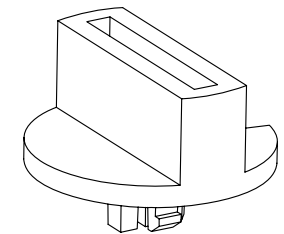
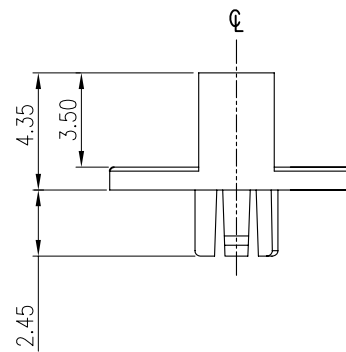
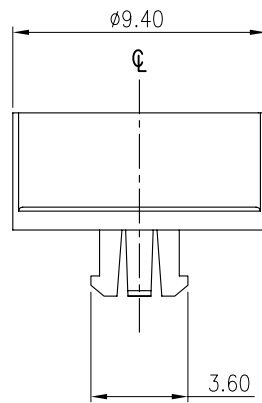
APPD:	Q' TY:		PART NAME:
CHKD:	SCALE: 5:1		ROTARY SWITCH
DR: LARRY	REV: A1	UNITS: mm	PART NO: KRB-2R
DESIGN: LARRY		MAT' L: PA66 (黒)	FINISH:
			DWG NO: RD12PP-02



NOTE:

1.GENERAL TOLERANCES MAX.±0.20mm.

PARTNO.NO	COLOR
KRB-3K	BLACK
KRB-3G	GREY
KRB-3R	RED
KRB-3B	BLUE



ZONE	REV.	DESCRIPTION	DATE	APPD.
△				
△				
△	A1	DWG REL.	2014.05.16	

APPD:	Q' TY:		PART NAME:
CHKD:	SCALE: 5:1		ROTARY SWITCH
DR: LARRY	REV: A1	PART NO:	MAT' L: PA66
DESIGN: LARRY	UNITS: mm	KRB-3□	FINISH:
			DWG NO: RD12PB-03